

## VAILLANT SPARE PART CATALOGUE

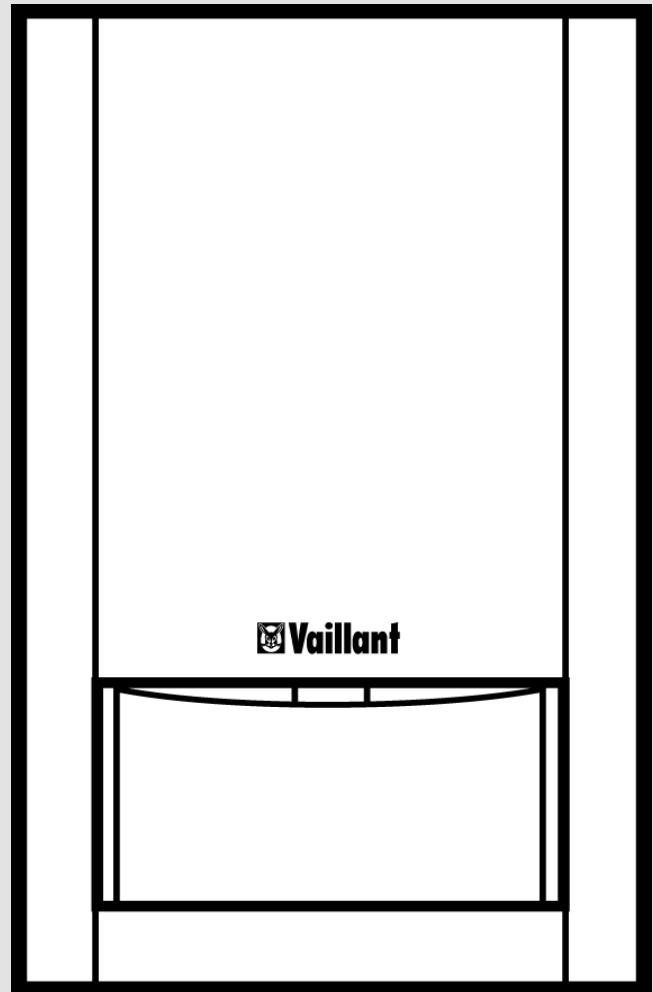
ECOmax 613 (VU 126 E-C)

ECOmax 618 (VU 196 E-C)

ECOmax 622 (VU 246 E-C)

ECOmax 824 (VUW 246 E-C)

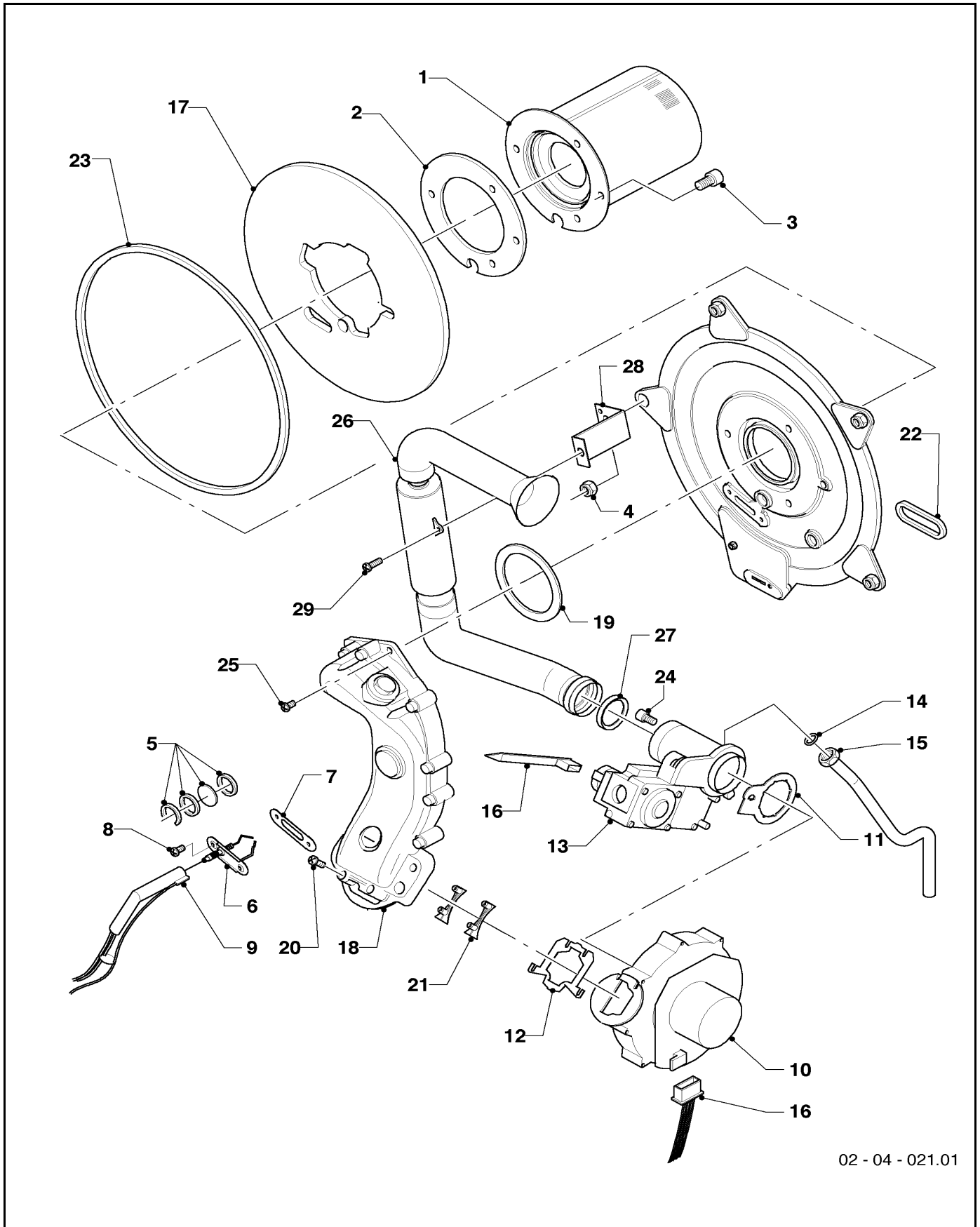
ECOmax 828 (VUW 286 E-C)



GB 03/00



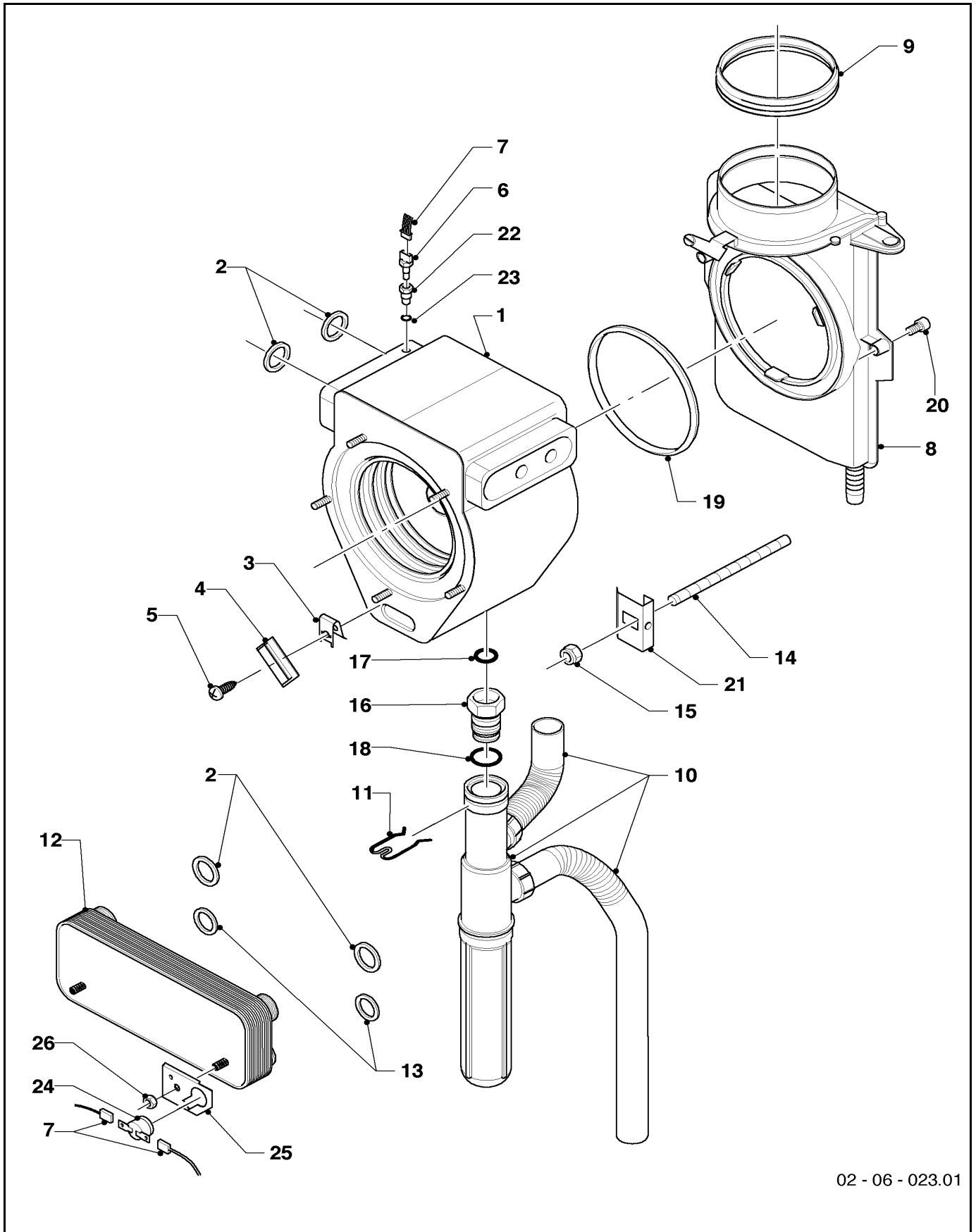
Main component 04/05 Burner, gas valve, ignition/monitoring electrode  
EComax 613 H, 618 H, 622 H,P  
EComax 824 H,P, 828 H,P



02 - 04 - 021.01



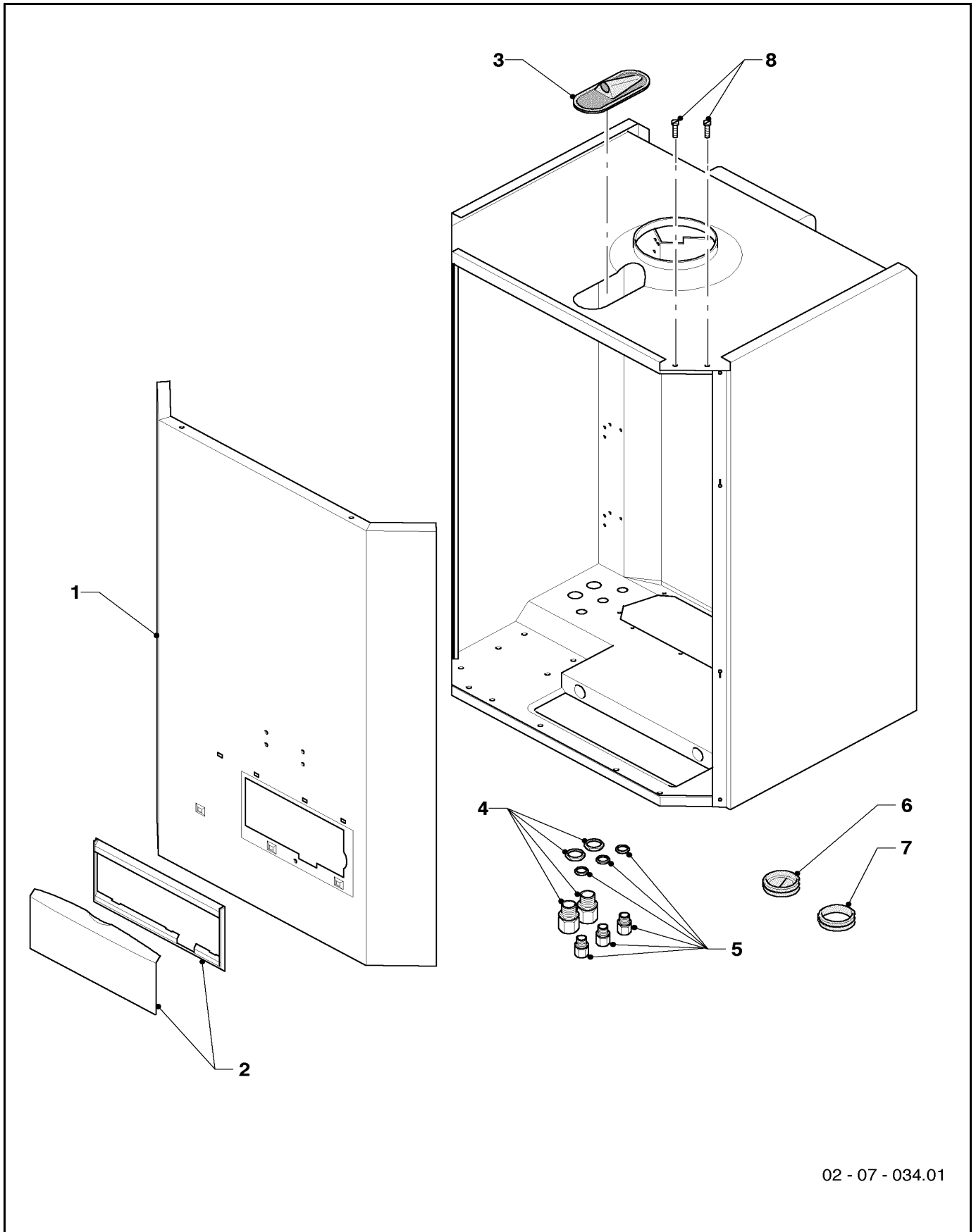
**Main component 06 Heat exchanger, condensate drain**  
 ECOMax 613 H, 618 H, 622 H,P  
 ECOMax 824 H,P, 828 H,P



02 - 06 - 023.01



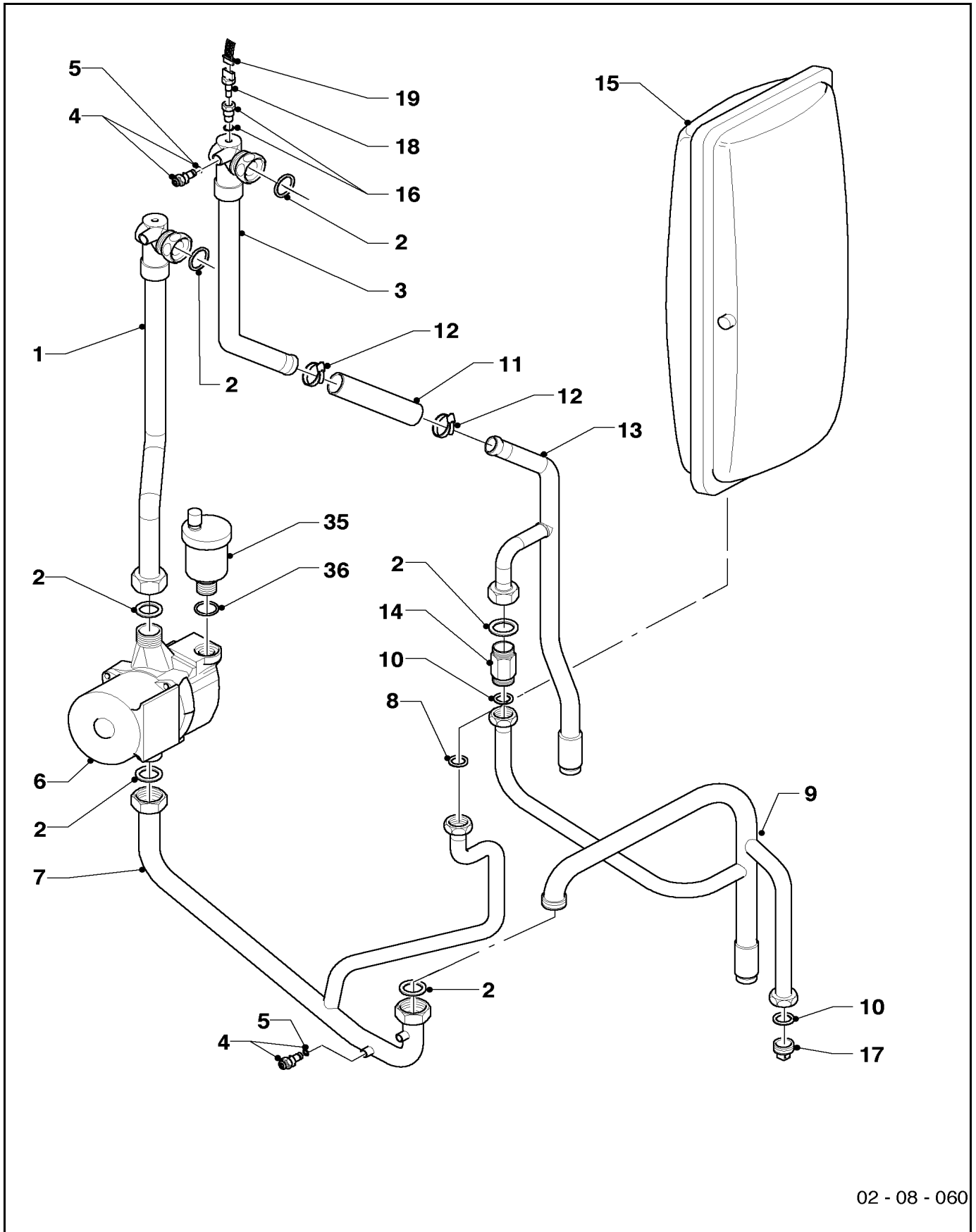
Main component 07 Casing parts  
EComax 613 H, 618 H, 622 H,P  
EComax 824 H,P, 828 H,P



02 - 07 - 034.01



Main component 08 Connection parts  
ECOMax 613 H, 618 H, 622 H,P



02 - 08 - 060



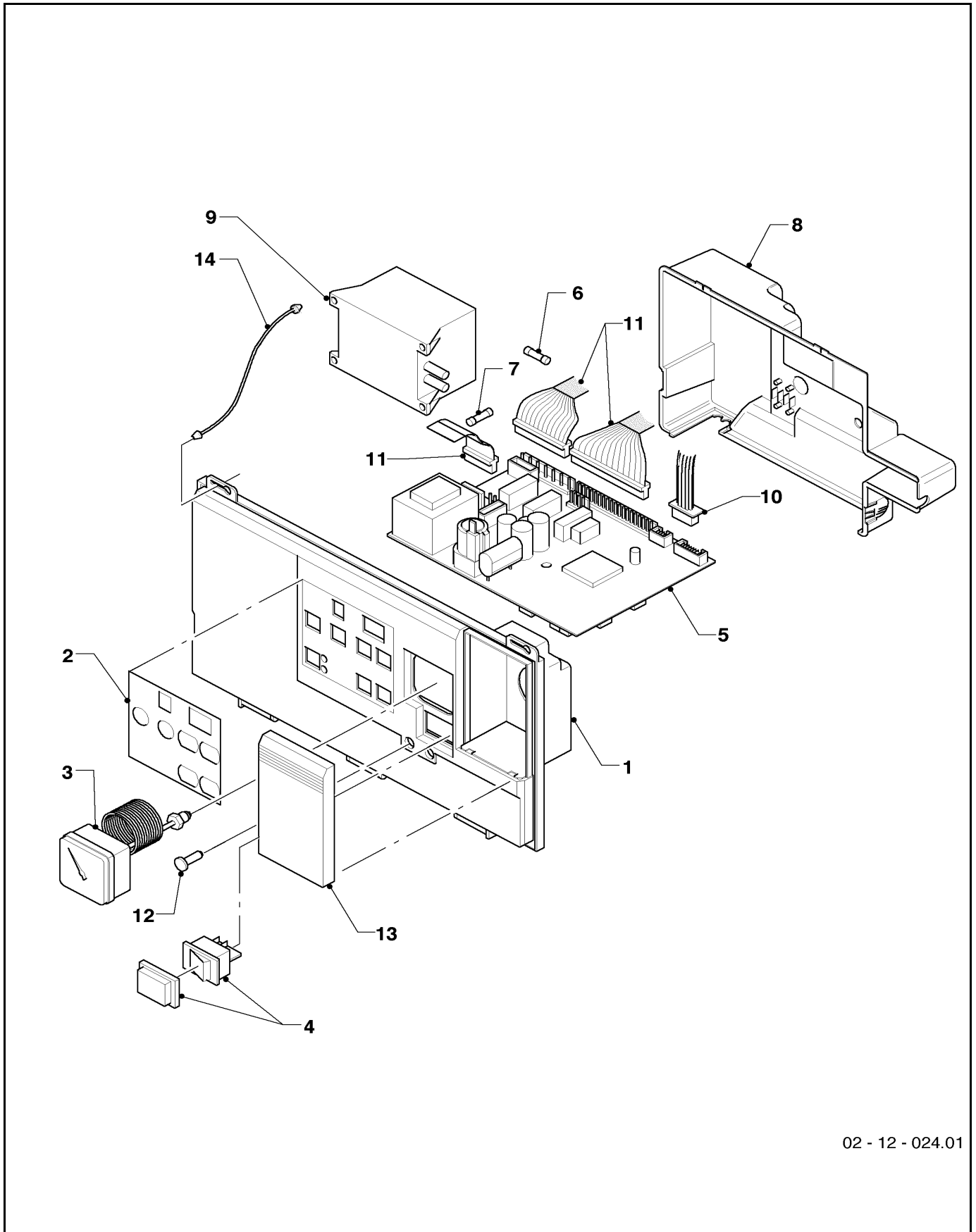




Main component 08 Connection parts  
 ECOmax 824 H,P, 828 H,P

Pict. No.	Article-No.	Part	with parts	ECOmax 828 H/P	ECOmax 824 H/P			
		Nr. 0208047						
01	019255	connection tube	02	X	X			
02	980151	packingring		X	X			
03	019260	connection tube	02, 04, 11	X	X			
04	140015	de-aeration screw		X	X			
05	982459	packingring		X	X			
06	161106	pump	02	X	X			
07	019258	connection tube	02, 08	X	X			
08	980185	packingring		X	X			
09	019315	connection tube	02, 10, 17	X	X			
10	980012	packingring		X	X			
11	080387	flexible tube	12 (2x)	X	X			
12	990187	securing clip		X	X			
13	019316	connection tube	02, 11	X	X			
14	150238	automatic bypass valve	02, 10	X	X			
15	019262	connection tube	02	X	X			
16	011288	flow switch	10	X	X			
17	136376	cap		X	X			
18	014639	diverter valve	02	X	X			
19	255025	diverter valve actuator		X	X			
20	181051	expansion vessel	08	X	X			
21-22	173115	bush		X	X			
23	287607	ntc-sensor		X	X			
24	081161	connection tube	02, 10	X	X			
25	080973	connection	02, 10, 26, 27	X	X			
26	012629	DHW pressure relief valve		X	X			
27	981898	packingring		X	X			
28	080974	connection (incl. water quantity regulator)	02, 10	X				
	080975	connection (incl. water quantity regulator)	02, 10		X			
29	074514	water filter		X	X			
30	287606	ntc-sensor	31, 32	X	X			
31	126181	mounting bracket		X	X			
32	114876	nut		X	X			
33	256060	cable tree		X	X			
34	-	DHW heat exchanger (see main component 06)		X	X			
35	061707	automatic de-aerator	36	X	X			
36	980287	packingring		X	X			
37	080976	cold water inlet service valve	10	X	X			
-	014658	central heating service valve (not shown)	not shown	X	X			
-	014659	gas service valve (not shown)	not shown	X	X			
-	190727	pressure relief valve (not shown)	not shown	X	X			
-	019328	connection tube for gas service valve and pressure relief valve (not shown)		X	X			
-	019329	connection tube for central heating service valve (not shown)		X	X			

Main component 12 Control box  
EComax 613 H, 618 H, 622 H,P  
EComax 824 H,P, 828 H,P



02 - 12 - 024.01

